

AZATOM®

# Pro Sports S2

DAB, DAB+, FM Retro Radio with Speaker



## User Manual

This manual is available to download online at [www.azatom.com](http://www.azatom.com)



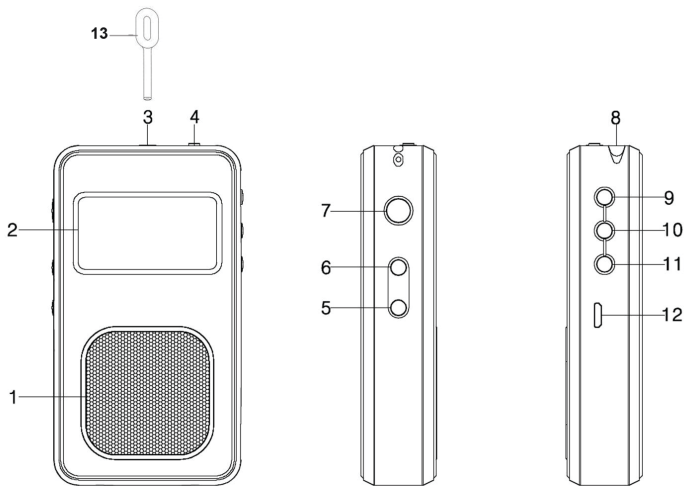
# What's in the box?

- **AZATOM® Pro Sports S2 Personal DAB Radio**
- **User Manual**
- **USB Power Cable**
- **Earphones**
- **AZATOM® Warranty Card**

# Contents

<b>Section:</b>	<b>Page:</b>
<b>Controls &amp; Interface</b> .....	1
<b>Using the Pro Sports S2 DAB Personal Radio</b>	
Power Supply / Key Lock Function / Display Icons.....	2
<b>DAB</b>	
Operating your radio.....	3
Selecting a station / Secondary Services.....	3
Display Modes.....	4
Finding New Radio Stations.....	4
Full Scan Function.....	5
Manual Tuning DAB.....	5
<b>FM</b>	
Operating your radio Search Tuning.....	6
Manual Tuning.....	6
Display Modes.....	6
Presetting Stations.....	7
Recalling a Preset.....	7
FM Stereo / Mono.....	7
Station Information.....	8
Time / Date Setting / Earphones.....	8
Sleep Function.....	9
Backlight.....	9
Factory Reset.....	9
<b>Technical Specifications</b> .....	10
<b>Important Safety Information</b> .....	12

# Controls & Interface

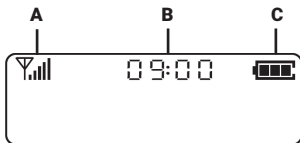


1. **LOUDSPEAKER**
2. **LCD DISPLAY**
3. **EARPHONE SOCKET / RESET**
4. **LOCK SWITCH**
5. **VOLUME DOWN BUTTON**
6. **VOLUME UP BUTTON / MENU / INFO (PRESS AND HOLD)**
7. **ON/OFF AND MODE BUTTON (PRESS TO SWITCH RADIO ON & CHANGE MODES, PRESS AND HOLD TO POWER OFF)**
8. **TELESCOPIC AERIAL**
9. **CH+ BUTTON / PRESET STORE BUTTON (PRESS AND HOLD)**
10. **SCAN BUTTON (PRESS AND HOLD FOR SCANNING AND AUTO SAVE SEARCH) / ENTER BUTTON**
11. **CH- BUTTON / PRESET RECALL BUTTON (PRESS AND HOLD)**
12. **USB TYPE-C CHARGING PORT**
13. **RESET PIN / RESET TOOL**

# Using the Pro Sports S2

## Display Icons:

- A. Signal strength indicator
- B. Time in 24h format
- C. Battery level / Charge indicator



## Power Supply (USB Cable only - USB Wall Socket not supplied)

Insert the grid plug into a properly installed AC socket. Connect the device with the plug connector by inserting its plug into the 5V/500mA USB charging port of the device.

Make sure the grid voltage corresponds to the figures on the rating plate.

### CAUTION:

*Only use the supplied power adapter for this device.*

*Do not use for other devices. Only use the original AC adapter. This adapter has been specially designed for the built-in battery in order to gradually charge the battery. Any other adapter can shorten the battery life or can damage it or the device.*

### NOTE:

*Disconnect from mains power supply during longer periods of non-use.*

## Key-lock function:

The Key-lock function is used to prevent unintentional operation of your radio

1. Set the Lock switch located on the top of your radio to the "Lock" position. If the radio is switched on "Key locked" will appear on the display. The ON/OFF and all other buttons will be disabled only while the unit is powered on using this function.
2. To release the Lock switch, move the lock switch to the "Unlock" position.

## Operating your radio - DAB:

1. Carefully extend the telescopic aerial.
2. Press the **ON/OFF** button to switch on your radio. The display will show "Welcome to digital radio."
3. If this is the first time the radio is used to quick scan of the Band III DAB channels will be carried out. If the radio has been used before the last used station will be selected.
4. Press and hold **SCAN** for auto scan. During the scanning process, the lower line of the display shows a bar-graph indicating progress of the scan.
5. When the scanning is completed the first station (in numeric-alpha order 0-9, A-Z) will be selected. Your radio will automatically set to the current time.
6. If the station list is still empty after the scan your radio will display "Service not available".
7. If no signals are found it may be necessary to relocate your radio to a position giving better reception.

## Selecting a station - DAB:

1. The top line of the display shows the name of the station currently selected
2. Push the **CH+ / CH-** buttons to select the list of available stations on the lower line of the display, and push the **ENTER** button to confirm.
3. Adjust the Volume control to the required setting.

**Note:** If after selecting a station the display shows "service not available" it may be necessary to relocate your radio to a position giving better reception.

## Secondary services - DAB

Certain radio stations have one or more secondary services associated with them. If a radio station has a secondary service associated with it the display will show ">>" next to the station name on the station list. The secondary service will then appear immediately after the primary services as you push the **CH+ / CH-** buttons and selecting the highlighted secondary service.

When the secondary service shuts down, your radio will automatically switch back to the main radio station ( or primary service) if it is available.

## Display modes - DAB:

Your radio has a range of display modes:

Press and hold **MENU** to enter "*Station Info*" and cycle through each modes.

- A. **Scrolling text:** Displays scrolling text messages such as artist/track name, phone in number etc.
- B. **Program Type:** Displays the type of station being listened to e.g. Pop, Classic, News etc.
- C. **Multiplex Name:** Displays the name of DAB multiplex to which the current station belongs.
- D. **Time:** Displays the current time.
- E. **Date:** Displays the current date.
- F. **Frequency:** Displays the frequency of the DAB multiplex for the station listened to.
- G. **Bit rate & audio type:** Displays the digital bit rate & audio type for the station being listened to.
- H. **Signal strength:** Displays a graph showing the signal strength for the station being received.

## Finding new radio stations - DAB:

As time passes new stations may become available. To find new stations follow these steps:

Press either of the **CH+ / CH-** buttons, until the display will show "*Find services*" or press the **CH+ / CH-** buttons until the display shows "*scan*" and select your preferred option.

You can also press and hold **SCAN** for auto scan. The display will show "*Scanning...*" and your radio will perform a scan of the Band III DAB channels. As new radio stations are found the station counter on the right-hand side of the display will increase and the radio stations will be added to the list stored in the radio.



## Full Scan function - DAB:

As an alternative to clicking the menu to select a station your radio can be set so as to automatically select a station.

1. Press the **MENU** button, and press **CH+ / CH-** until "*Settings*" is highlighted and select that option
2. Press **CH+ / CH-** until "*Full Scan*" is highlighted and select that option
3. Press **ENTER** to confirm.

## Manual Tuning - DAB:

Manual tuning allows you to tune display to the various DAB Band III channels. UK DAB stations located in the range 11B to 12D.

1. Press **MENU** until the display shows "*Settings*", then press **Enter**.
2. Press **CH+ / CH-** until the display shows "*Manual Tune*". Press **Enter** to select this function.
3. Press **CH+ / CH-** to highlight the desired channel.
4. Press **Enter**, the graph will indicate the signal strength, and the upper line will show the name of the DAB multiplex (*group of radio stations*). Any stations found will be added to the stored list in the radio.
5. Press **MENU** to return to the normal tuning mode.

## Operating your radio - Search tuning - FM:

1. Carefully extend the telescopic aerial fully and press the ON/OFF button to switch on your radio.
2. Short press MODE to enter FM mode.
3. Press and hold SCAN your radio will scan save automatically when it finds a station of sufficient strength.

## Manual Tuning - FM:

1. Carefully extend the telescopic aerial fully and press the ON/OFF button to switch on your radio.
2. Select FM mode as previously described if required.
3. Short press CH+/CH- to tune to a station. With each press of Tuning the frequency will change up or down by 50 kHz.
4. Set the Volume control to the desired settings.
5. To switch off your radio press the ON/OFF button.

## Display modes - FM:

In FM mode the bottom line of the display can be set to any of the following display options:

Press and hold MENU to enter the "Station Info" on a station and cycle through each modes.

- A. **Scrolling text:** Displays scrolling text messages such as artist/track name, phone in number etc.
- B. **Program Type:** Displays the type of station being listened to e.g. Pop, Classic, News etc.
- C. **Audio mode:** Displays shows stereo or Mono..
- D. **Time:** Displays the current time.
- E. **Date:** Displays the current date.

*Note: Your radio will display "NO Radio Text" on the lower line of the display if there is no scrolling text available and "NO PTY" if there is no programme type information.*

## Presetting Stations:

You may store your preferred DAB and FM radio stations to the preset station memory. There are 60 memory presets in your radio, 30 for DAB and 30 for FM. Presets are saved in your radio in the event of a power failure.

1. Press ON/OFF button to switch on the radio.
2. Select the desired waveband.
3. Tune to the required station as previously described.
4. Press and hold the PRESET STORE button and press ENTER to confirm, the display will show "Preset 01 Stored". Repeat this procedure as needed for the different preset numbers.

## Recalling a preset:

1. Press the ON/OFF button to switch on the radio.
2. Select the required waveband as previously described.
3. Press and hold the PRESET RECALL button and CH+ or CH- to recall the stored stations, and press ENTER to select.

*Note: If you have not previously stored a preset station and the preset button is pressed "Empty preset" will be displayed.*

## FM Stereo/Mono (Earphones only):

If a station being received is weak some hiss may be audible (especially when listening using earphones).

1. To reduce the hiss press and hold MENU button to enter the menu and then press CH+ or CH- until "Settings" is highlighted. Press ENTER to select this function.
2. Press CH+ or CH- until the display shows "Audio setting" then press MENU.
3. Press CH+ or CH- until "Forced mono" is displayed. Press the ENTER to select mono. Your radio will select the mono audio mode.
4. To return to stereo mode press CH+ or CH- until the display shows "Audio setting" then press the ENTER.
5. Press CH+ or CH- until "Stereo allowed" is displayed. Press ENTER your radio will switch to stereo mode. The chosen setting will be marked with an asterisk.

*Note: Stereo listening is only available when listening via earphones.*

## Station information:

The station information menu displays technical information about the current station.

1. To view the station information press the **MENU** to enter the menu and then press **CH+** or **CH-** until "Settings" is highlighted on the display.
2. Press **CH+** or **CH-** until "Station info" shows on the display. Press **ENTER** the services information will be displayed.
3. Press **CH+** or **CH-** until the required service information is highlighted and press **ENTER** to view this information. The chosen service information will be marked with an asterisk and will remain on the display.

**DAB** - Program type, DLS, signal strength, Bitrate, Frequency, Date, Time, Ensemble.

**FM** - Radio text, Date, Time, Audio Type, Program Type.

## Time/Date Setting:

When no DAB signal, you need to set the **TIME** and **DATE** manually.

1. Press and hold **MENU** to enter the settings menu.
2. Press **CH+** or **CH-** until "Settings", press **ENTER**.
3. Press **CH+** or **CH-** until "Set Time/Date", press **ENTER**
4. Press **CH+** or **CH-** and **ENTER** to set the correct time and date.

## Earphones:

*The lead connecting the earphones to your radio acts as an aerial when plugged into the Earphone socket. The lead should be extended as much as possible to increase reception.*

**Note:** When using earphone it is normally not necessary to extend the telescopic aerial.

1. Plug the earphones into the Earphone socket on the top of your radio.
2. Check that the Volume level is not too loud before placing the ear-pieces into your ears.

**IMPORTANT:** Do not switch on the radio with the earphones connected and inserted in your ear. Excessive sound pressure from earphones can cause hearing loss.

## Sleep function:

Your radio can be set to turn off after a preset time has elapsed. The sleep setting can be adjusted between 15 and 90 minutes. Ensure your radio is switched on.

1. Press **ENTER** to enter the menu and then press **CH+** or **CH-** until *"Settings"* is highlighted on the display.
2. Press **CH+** or **CH-** until *"Set Sleep time"* is highlighted on the display.
3. Press **ENTER** to enter adjustment mode.
4. Press **CH+** or **CH-** to set the desired sleep time between 15, 30, 45, 60, 75 and 90 minutes or **Sleep Off** which will cancel the sleep function.
5. Press **ENTER** to confirm the setting. The sleep timer indicator *"S"* will show on the display. Your radio will switch off after the preset sleep time has elapsed.
6. To cancel the sleep timer and switch off your radio before the chosen sleep time has elapsed press the **ON/OFF** button to cancel the sleep timer without switching off your radio, set the desired sleep time to **SLEEP OFF**.

## Backlight:

If no pressing on any button, the LCD would dim 1/4 after 20 seconds, and dim 1/2 after 2 minutes.

1. To set the backlight to never dim, press and hold **MENU** to enter the menu and the press **CH+ / CH-** until *"Settings"* is highlighted on the display and press **ENTER**.
2. Press **CH+** or **CH-** until *"Backlight"* is highlighted on the display and press **ENTER**.

**TIME OUT:** Set dimmer time from 10 seconds to 180 seconds or off

**DIM LEVEL:** Set the dimmer brightness **HIGH**, **MEDIUM** or **LOW** when **TIME OUT SET**.

**ON LEVEL:** Set the brightness **HIGH**, **MEDIUM** or **LOW**

## Factory reset:

If you need to reset your radio, you can either use the factory reset tool and push it into the ear-phone slot until you feel the button press - this will reset your radio. Or you can choose to reset it via the software menu:

1. Press and hold **MENU** to enter the menu.
2. Press **CH+** or **CH-** until the display shows *"Settings"* and press **ENTER**
3. Press **CH+** or **CH-** until the display shows *"Factory Reset"* and press **ENTER**
4. If you wish to perform the reset operation, push the **CH+** or **CH-** until *"YES"* is highlighted on the display and press. A full reset of your radio will be performed, All presets and station lists will be erased.

If you do not wish to reset your radio press **CH+** or **CH-** until *"NO"* is highlighted. Your radio will return to the previous menu.

5. After a system reset a scan of the DAB band will be performed. In case of malfunction due to electrostatic discharge, reset the product (*temporary disconnection of the power adaptor may be required*) to resume normal operation.

# Technical Specifications

Power requirement mains ( <i>via USB Cable</i> ):	100-240V 50/60Hz DC 5V 500mA
Lithium rechargeable battery:	3.7V, 1800mAH

## Battery life full charge:

**Up to 15 hours using the loudspeaker for 4 hours a day at normal volume.**

**Up to 18 hours using earphones for 4 hours a day at normal volume.**

## Frequency Coverage:

FM:	87.5-108MHz
DAB:	174.928 - 239.200MHz

## Specifications:

Output power:	150mW
Earphone socket:	3.5mm dia. Stereo
Aerial system: FM:	Telescopic Aerial
DAB:	Telescopic Aerial

***IMPORTANT: Do not switch on the radio with the earphones connected and inserted in your ear. Excessive sound pressure from earphones can cause hearing loss.***





DEUTSCHE



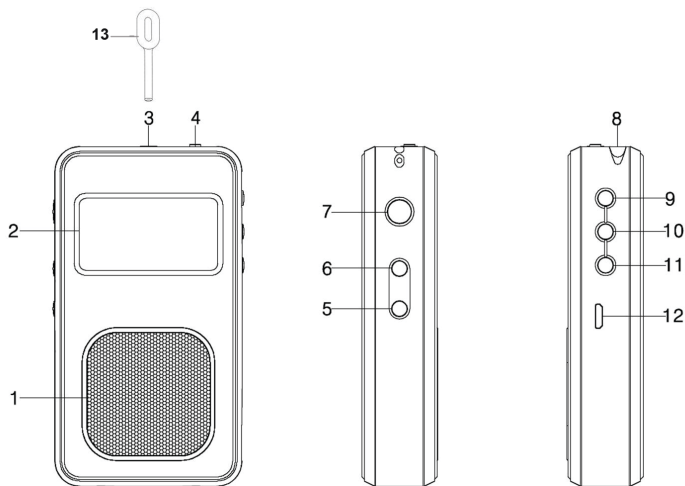
# Was ist in der Box?

- **AZATOM® Pro Sports S2 Persönliches DAB-Radio**
- **Benutzerhandbuch**
- **USB-Stromkabel**
- **Kopfhörer**
- **AZATOM® Garantiekarte**

# Inhalt

<b>Sektion:</b>	<b>Seite:</b>
<b>Bedienelemente &amp; Schnittstelle</b> .....	15
<b>Verwenden des Pro Sports S2 DAB Personal Radio</b>	
<b>Symbole für Netzteil- / Tastensperrfunktion / Anzeige</b> .....	16
<b>TUPFEN</b>	
<b>Bedienung Ihres Radios</b> .....	17
<b>Sender auswählen / Sekundärdienste</b> .....	17
<b>Anzeigemodi</b> .....	18
<b>Suche nach neuen Radiosendern</b> .....	18
<b>Volle Scanfunktion</b> .....	19
<b>Manuelle Abstimmung DAB</b> .....	19
<b>FM</b>	
<b>Bedienung Ihres Radiosuchlaufs</b> .....	20
<b>Manuelle Abstimmung</b> .....	20
<b>Anzeigemodi</b> .....	20
<b>Sender speichern</b> .....	21
<b>Abrufen eines Presets</b> .....	21
<b>FM Stereo / Mono</b> .....	21
<b>Stationsinformationen</b> .....	22
<b>Uhrzeit- / Datumseinstellung / Kopfhörer</b> .....	22
<b>Sleep-Funktion</b> .....	23
<b>Hintergrundbeleuchtung</b> .....	23
<b>Werkseinstellungen zurückgesetzt</b> .....	23
<b>Technische Spezifikationen</b> .....	24

# Bedienelemente & Schnittstelle

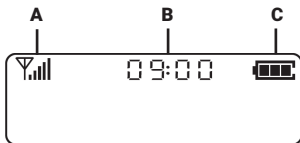


- |   |  |
|---|--|
| 1. LAUTSPRECHER   | 10. SCAN-TASTE (DRÜCKEN UND HALTEN ZUM SCANNEN UND AUTOMATISCHEN SPEICHERN SEARCH) / ENTER-TASTE |
| 2. LCD-ANZEIGE  | 11. CH- TASTE / PRESET RECALL TASTE (DRÜCKEN UND HALTEN)   |
| 3. KOPFHÖRERANSCHLUSS / RESET   | 12. USB TYPE-C LADEPORT  |
| 4. SCHALTER VERRIEGELN  | 13. STIFT ZURÜCKSETZEN / WERKZEUG ZURÜCKSETZEN   |
| 5. LEISER-TASTE   |  |
| 6. LAUTER-TASTE / MENU / INFO (DRÜCKEN UND HALTEN)  |  |
| 7. EIN / AUS UND MODE TASTE (DRÜCKEN RADIO EINSCHALTEN & WECHSELN DRÜCKEN SIE UND HALTEN SIE, UM DAS GERÄT EINZUSCHALTEN AUS) |  |
| 8. TELESKOPANTENNE  |  |
| 9. CH + TASTE / PRESET STORE TASTE (DRÜCKEN UND HALTEN)   |  |

# Verwenden des Pro Sports S2

## Symbole anzeigen:

- A. Signalstärkeanzeige
- B. Uhrzeit im 24-Stunden-Format
- C. Batteriestand- / Ladeanzeige



## Netzteil (nur USB-Kabel - USB-Wandsteckdose nicht im Lieferumfang enthalten)

Stecken Sie den Netzstecker in eine ordnungsgemäß installierte Steckdose. Verbinden Sie das Gerät mit dem Steckverbinder, indem Sie den Stecker in den 5V / 500mA USB-Ladeanschluss des Geräts einstecken.

Stellen Sie sicher, dass die Netzspannung den Angaben auf dem Typenschild entspricht.

### VORSICHT:

*Verwenden Sie für dieses Gerät nur das mitgelieferte Netzteil.*

*Nicht für andere Geräte verwenden. Verwenden Sie nur das Original-Netzteil. Dieser Adapter wurde speziell für den eingebauten Akku entwickelt, um den Akku nach und nach aufzuladen. Jeder andere Adapter kann die Lebensdauer des Akkus verkürzen oder ihn oder das Gerät beschädigen.*

### HINWEIS:

*Bei längerer Nichtbenutzung Netzstecker ziehen.*

## Tastensperre:

Die Tastensperre dient dazu, ein unbeabsichtigtes Betätigen Ihres Radios zu verhindern

1. Stellen Sie den Sperrschalter oben am Radio auf die Position „Lock“. Wenn das Radio ist eingeschaltet In der Anzeige erscheint „Tastensperre“. Das Ein / Aus und alle anderen Tasten werden nur deaktiviert, wenn das Gerät mit dieser Funktion eingeschaltet ist.
2. Um den Sperrschalter freizugeben, schieben Sie den Sperrschalter in die Position "Unlock".

## Bedienung Ihres Radios - DAB:

1. Ziehen Sie die Teleskopantenne vorsichtig heraus.
2. Drücken Sie die Ein- / Aus-Taste, um Ihr Radio einzuschalten. Auf dem Display wird "Willkommen beim Digitalradio" angezeigt.
3. Wenn dies das erste Mal ist, wird das Radio zum schnellen Durchsuchen der Band III-DAB-Kanäle verwendet aus. Wenn das Radio vor dem letzten verwendeten Sender verwendet wurde, wird dieser ausgewählt.
4. Halten Sie SCAN gedrückt, um die automatische Suche zu starten. Während des Scanvorgangs wird die untere Zeile des Displays angezeigt zeigt ein Balkendiagramm, das den Fortschritt des Scans anzeigt.
5. Wenn der Scanvorgang abgeschlossen ist, wird die erste Station (in numerischer Alpha-Reihenfolge 0-9, A-Z) angezeigt ausgewählt. Ihr Radio stellt sich automatisch auf die aktuelle Uhrzeit ein.
6. Wenn die Senderliste nach dem Suchlauf noch leer ist, zeigt Ihr Radio "Dienst nicht verfügbar" an.
7. Wenn keine Signale gefunden werden, muss das Funkgerät möglicherweise an eine Position gebracht werden, die bessere Ergebnisse liefert Rezeption.

## Sender auswählen - DAB:

1. In der oberen Displayzeile wird der Name des aktuell ausgewählten Senders angezeigt
2. Drücken Sie die Tasten CH + / CH-, um die Liste der verfügbaren Sender in der unteren Zeile der auszuwählen und drücken Sie zur Bestätigung die ENTER-Taste.
3. Stellen Sie den Lautstärkereglern auf die gewünschte Einstellung ein.

*Hinweis: Wenn nach Auswahl eines Senders auf dem Display die Meldung "Dienst nicht verfügbar" angezeigt wird, muss das Radio möglicherweise an eine Position gebracht werden, die einen besseren Empfang bietet.*

## Sekundärdienste - DAB:

Bestimmten Radiosendern sind ein oder mehrere sekundäre Dienste zugeordnet. Wenn einem Radiosender ein Sekundärdienst zugeordnet ist, wird auf dem Display neben dem Sendernamen in der Senderliste ">>" angezeigt. Der sekundäre Dienst wird dann unmittelbar nach den primären Diensten angezeigt, wenn Sie die Tasten CH + / CH- drücken und den hervorgehobenen sekundären Dienst auswählen.

Wenn der sekundäre Dienst heruntergefahren wird, wechselt Ihr Radio automatisch zurück zum

## Anzeigemodi - DAB:

Ihr Radio verfügt über verschiedene Anzeigemodi:

Halten Sie MENU gedrückt, um „Station Info“ aufzurufen und durch die einzelnen Modi zu blättern.

- A. Lauftext: Zeigt Lauftextnachrichten wie Interpret / Titelname, Telefonnummer usw. an.
- B. Programmtyp: Zeigt den Typ des zu hörenden Senders an, z. Pop, Klassik, Nachrichten etc.
- C. Multiplex Name: Zeigt den Namen des DAB-Multiplex an, zu dem der aktuelle Sender gehört.
- D. Uhrzeit: Zeigt die aktuelle Uhrzeit an.
- E. Datum: Zeigt das aktuelle Datum an.
- F. Frequenz: Zeigt die Frequenz des DAB-Multiplex für den gehörten Sender an.
- G. Bitrate und Audiotyp: Zeigt die digitale Bitrate und den Audiotyp des gerade gehörten Senders an.
- H. Signalstärke: Zeigt ein Diagramm mit der Signalstärke des empfangenen Senders an.

## Suche nach neuen Radiosendern - DAB:

Mit der Zeit können neue Sender verfügbar werden. So finden Sie neue Sender:

Drücken Sie eine der Tasten CH + / CH-, bis auf dem Display „Find services“ angezeigt wird, oder drücken Sie die Tasten CH + / CH-, bis auf dem Display „scan“ angezeigt wird, und wählen Sie Ihre bevorzugte Option aus.

Sie können auch SCAN drücken und gedrückt halten, um automatisch zu scannen. Das Display zeigt „Scanning ...“ an und Ihr Radio führt einen Scan der Band III DAB-Kanäle durch. Wenn neue Radiosender gefunden werden, erhöht sich der Stationszähler auf der rechten Seite des Displays und die Radiosender werden der im Radio gespeicherten Liste hinzugefügt.

## Vollständige Scanfunktion - DAB:

Alternativ zum Klicken auf das Menü zur Auswahl eines Senders kann Ihr Radio eingestellt werden um automatisch einen Sender auszuwählen.

1. Drücken Sie die MENU-Taste und drücken Sie CH + / CH-, bis „Einstellungen“ markiert ist, und wählen Sie diese Option aus
2. Drücken Sie CH + / CH-, bis „Full Scan“ markiert ist, und wählen Sie diese Option aus
3. Drücken Sie zur Bestätigung ENTER.

## Manuelle Abstimmung - DAB:

Mit der manuellen Abstimmung können Sie die Anzeige auf die verschiedenen DAB Band III-Kanäle einstellen. UK DAB-Stationen im Bereich von 11B bis 12D.

1. Drücken Sie MENU, bis auf dem Display „Einstellungen“ angezeigt wird, und drücken Sie dann die Eingabetaste.
2. Drücken Sie CH + / CH-, bis auf dem Display „Manual Tune“ angezeigt wird. Drücken Sie die Eingabetaste, um dies auszuwählen  
Funktion.
3. Drücken Sie CH + / CH-, um den gewünschten Kanal zu markieren.
4. Drücken Sie die Eingabetaste. Das Diagramm zeigt die Signalstärke an und in der oberen Zeile wird der Name angezeigt  
des DAB-Multiplex (Gruppe von Radiosendern). Alle gefundenen Stationen werden der gespeicherten Liste hinzugefügt  
im Radio.
5. Drücken Sie MENU, um zum normalen Abstimmmodus zurückzukehren.

## Bedienung Ihres Radios - Sendersuche - UKW:

1. Ziehen Sie die Teleskopantenne vorsichtig vollständig heraus und drücken Sie die EIN / AUS-Taste, um Ihr Radio einzuschalten.
2. Drücken Sie kurz MODE, um den FM-Modus aufzurufen.
3. Halten Sie die Taste SCAN gedrückt. Ihr Radio sucht automatisch nach einem Sender, der ausreichend Stärke.

## Manuelle Sendersuche - UKW:

1. Ziehen Sie die Teleskopantenne vorsichtig vollständig heraus und drücken Sie die EIN / AUS-Taste, um Ihr Radio einzuschalten.
2. Wählen Sie den FM-Modus wie zuvor beschrieben, falls erforderlich.
3. Drücken Sie kurz CH + / CH-, um einen Sender einzustellen. Mit jedem Drücken von Tuning ändert sich die Frequenz hoch oder runter um 50 kHz.
4. Stellen Sie den Lautstärkeregler auf die gewünschten Einstellungen ein.
5. Um Ihr Radio auszuschalten, drücken Sie die EIN / AUS-Taste.

## Anzeigemodi - FM:

Im FM-Modus kann die unterste Zeile der Anzeige auf eine der folgenden Anzeigeoptionen eingestellt werden:

Halten Sie MENU gedrückt, um die „Senderinformationen“ eines Senders einzugeben und durch die einzelnen Modi zu blättern.

- A. Lauftext: Zeigt Lauftextnachrichten wie Interpret / Titelname, Telefonnummer usw. an.
- B. Programmtyp: Zeigt den Typ des zu hörenden Senders an, z. Pop, Klassik, Nachrichten etc.
- C. Audiomodus: Zeigt Stereo oder Mono an.
- D. Uhrzeit: Zeigt die aktuelle Uhrzeit an.
- E. Datum: Zeigt das aktuelle Datum an.

**Hinweis:** Ihr Radio zeigt "NO Radio Text" in der unteren Zeile des Displays an, wenn kein Lauftext verfügbar ist, und "NO PTY", wenn keine Programmtypinformationen vorhanden sind.



## Sender speichern:

Sie können Ihre bevorzugten DAB- und UKW-Radiosender im Senderspeicher ablegen. Ihr Radio verfügt über 60 Speicherplätze, 30 für DAB und 30 für UKW. Die Voreinstellungen werden bei einem Stromausfall in Ihrem Radio gespeichert.

1. Drücken Sie die ON / OFF-Taste, um das Radio einzuschalten.
2. Wählen Sie den gewünschten Wellenbereich.
3. Stellen Sie den gewünschten Sender wie zuvor beschrieben ein.
4. Halten Sie die PRESET STORE-Taste gedrückt und drücken Sie zur Bestätigung ENTER. Auf dem Display wird angezeigt "Preset 01 gespeichert". Wiederholen Sie diesen Vorgang nach Bedarf für die verschiedenen voreingestellten Nummern.

## Aufrufen eines Presets:

1. Drücken Sie die EIN / AUS-Taste, um das Radio einzuschalten.
2. Wählen Sie den gewünschten Wellenbereich wie zuvor beschrieben aus.
3. Halten Sie die PRESET RECALL-Taste und CH + oder CH- gedrückt, um die gespeicherten Sender abzurufen Drücken Sie ENTER, um auszuwählen.

## ***FM Stereo / Mono (nur Kopfhörer):***

Wenn ein Sender schwach empfangen wird, ist möglicherweise ein Rauschen zu hören (insbesondere beim Hören mit Kopfhörern).

1. Um das Rauschen zu verringern, drücken und halten Sie die MENU-Taste, um das Menü aufzurufen, und drücken Sie dann CH + oder CH- bis „Einstellungen“ markiert ist. Drücken Sie ENTER, um diese Funktion auszuwählen.
2. Drücken Sie CH + oder CH-, bis das Display „Audio setting“ anzeigt, und drücken Sie dann MENU.
3. Drücken Sie CH + oder CH-, bis "Forced Mono" angezeigt wird. Drücken Sie ENTER, um Mono auszuwählen Ihr Radio wählt den Mono-Audiomodus.
4. Um in den Stereomodus zurückzukehren, drücken Sie CH + oder CH-, bis auf dem Display "Audio setting" angezeigt wird Drücken Sie die EINGABETASTE.
5. Drücken Sie CH + oder CH-, bis „Stereo allowed“ angezeigt wird. Drücken Sie ENTER, um das Radio umzuschalten in den Stereo-Modus. Die gewählte Einstellung wird mit einem Stern markiert.

Hinweis: Stereo-Wiedergabe ist nur beim Hören über Kopfhörer verfügbar.

## Stationsinformationen:

Das Stationsinformationsmenü zeigt technische Informationen zur aktuellen Station an.

1. Um die Senderinformationen anzuzeigen, drücken Sie MENU, um das Menü aufzurufen, und drücken Sie dann CH + oder CH- bis "Einstellungen" im Display markiert ist.
2. Drücken Sie CH + oder CH-, bis „Senderinfo“ im Display angezeigt wird. Drücken Sie die EINGABETASTE für die Dienste Informationen werden angezeigt.
3. Drücken Sie CH + oder CH-, bis die gewünschten Serviceinformationen hervorgehoben sind, und drücken Sie ENTER um diese Informationen anzuzeigen. Die gewählten Serviceinformationen sind mit einem Sternchen gekennzeichnet und werden angezeigt bleiben auf dem Display.

DAB - Programmtyp, DLS, Signalstärke, Bitrate, Frequenz, Datum, Uhrzeit, Ensemble.

FM - Radiotext, Datum, Uhrzeit, Audiotyp, Programmtyp.

## Uhrzeit- / Datumseinstellung:

Wenn kein DAB-Signal vorhanden ist, müssen Sie die UHRZEIT und das DATUM manuell einstellen.

1. Halten Sie MENU gedrückt, um das Einstellungs Menü aufzurufen.
2. Drücken Sie CH + oder CH- bis "Einstellungen", drücken Sie ENTER.
3. Drücken Sie CH + oder CH- bis „Set Time / Date“, drücken Sie ENTER
4. Drücken Sie CH + oder CH- und ENTER, um die richtige Uhrzeit und das richtige Datum einzustellen.

## Kopfhörer:

Das Kabel, das die Ohrhörer mit Ihrem Radio verbindet, fungiert als Antenne, wenn es in die Ohrhörerbuchse eingesteckt wird. Das Kabel sollte so weit wie möglich verlängert werden, um den Empfang zu verbessern.

Hinweis: Bei Verwendung von Kopfhörern ist es normalerweise nicht erforderlich, die Teleskopantenne zu verlängern.

1. Schließen Sie die Kopfhörer an die Kopfhörerbuchse oben am Radio an.
2. Vergewissern Sie sich, dass die Lautstärke nicht zu hoch ist, bevor Sie die Ohrhörer in Ihre Ohren stecken.

**WICHTIG:** Schalten Sie das Radio nicht ein, wenn die Ohrhörer angeschlossen und in Ihr Ohr eingesteckt sind. Übermäßiger Schalldruck von Kopfhörern kann zu Hörverlust führen.

## Schlaffunktion:

Ihr Radio kann so eingestellt werden, dass es nach Ablauf einer voreingestellten Zeit ausgeschaltet wird. Die SchlafEinstellung kann zwischen 15 und 90 Minuten eingestellt werden. Stellen Sie sicher, dass Ihr Radio eingeschaltet ist.

1. Drücken Sie ENTER, um das Menü aufzurufen, und drücken Sie dann CH + oder CH-, bis "Settings" (Einstellungen) markiert ist auf dem Display.
2. Drücken Sie CH + oder CH-, bis „Set Sleep time“ im Display markiert ist.
3. Drücken Sie ENTER, um den Einstellungsmodus aufzurufen.
4. Drücken Sie CH + oder CH-, um die gewünschte Ruhezeit zwischen 15, 30, 45, 60, 75 und 90 einzustellen Minuten oder Sleep Off, wodurch die Sleep-Funktion deaktiviert wird.
5. Drücken Sie ENTER, um die Einstellung zu bestätigen. Die Sleep-Timer-Anzeige „S“ erscheint auf dem Display. Ihre Das Radio schaltet sich nach Ablauf der voreingestellten Ruhezeit aus.
6. Deaktivieren Sie den Sleep-Timer und schalten Sie das Radio aus, bevor die gewählte Sleep-Zeit abgelaufen ist Drücken Sie die EIN / AUS-Taste, um den Sleep-Timer abzubrechen, ohne das Radio auszuschalten Gewünschte Ruhezeit, um auszuschlafen.

## Hintergrundbeleuchtung:

Wenn keine Taste gedrückt wird, wird das LCD nach 20 Sekunden um 1/4 und nach 2 Minuten um 1/2 gedimmt.

1. Um die Hintergrundbeleuchtung so einzustellen, dass sie niemals dunkler wird, halten Sie MENU gedrückt, um das Menü aufzurufen, und drücken Sie CH + / CH-, bis „Settings“ im Display markiert ist, und drücken Sie ENTER.
2. Drücken Sie CH + oder CH-, bis „Backlight Auto“ im Display markiert ist, und drücken Sie ENTER.

Timeout: Stellen Sie die Dimmerzeit von 10 Sekunden auf 180 Sekunden oder aus

DIM LEVEL: Stellen Sie die Helligkeit des Dimmers auf HIGH, MEDIUM oder LOW ein, wenn die Zeitüberschreitung eingestellt ist.

ON LEVEL: Stellen Sie die Helligkeit HIGH, MEDIUM oder LOW ein

## Werkseinstellungen zurückgesetzt:

Wenn Sie Ihr Radio zurücksetzen müssen, können Sie entweder das Tool zum Zurücksetzen auf die Werkseinstellungen verwenden und es in den Kopfhörersteckplatz schieben, bis Sie das Gefühl haben, dass die Taste gedrückt wird. Dadurch wird Ihr Radio zurückgesetzt. Oder Sie können es über das Software-Menü zurücksetzen:

1. Halten Sie MENU gedrückt, um das Menü aufzurufen.
2. Drücken Sie CH + oder CH-, bis das Display „Settings“ anzeigt, und drücken Sie ENTER
3. Drücken Sie CH + oder CH-, bis das Display „Factory Reset“ anzeigt, und drücken Sie ENTER
4. Wenn Sie den Rücksetzvorgang durchführen möchten, drücken Sie CH + oder CH-, bis „YES“ auf dem hervorgehoben ist anzeigen und drücken. Ein vollständiger Reset Ihres Radios wird durchgeführt. Alle Voreinstellungen und Senderlisten werden ausgeführt gelöscht werden.

Wenn Sie Ihr Radio nicht zurücksetzen möchten, drücken Sie CH + oder CH-, bis „NO“ markiert ist. Ihr Radio kehrt zum vorherigen Menü zurück.

5. Nach einem Systemreset wird ein Scan des DAB-Bandes durchgeführt. Im Falle einer Fehlfunktion durch elektrostatische Entladung, setzen Sie das Produkt zurück (vorübergehende Trennung des Netzadapters kann sein erforderlich), um den normalen Betrieb wieder aufzunehmen.

# Technische Spezifikationen

**Netzanschluss (über USB-Kabel): 100-240 V, 50/60 Hz**

**DC 5V 500mA**

**Lithium-Akku: 3,7 V, 1800 mAH**

**Akkulaufzeit volle Ladung:**

**Bis zu 15 Stunden bei normaler Lautstärke und 4 Stunden am Tag.**

**Bis zu 18 Stunden mit Kopfhörern 4 Stunden am Tag bei normaler Lautstärke.**

**Frequenzbereich:**

**FM: 87,5-108 MHz**

**DAB: 174.928 - 239.200 MHz**

**Spezifikationen:**

**Ausgangsleistung: 150mW**

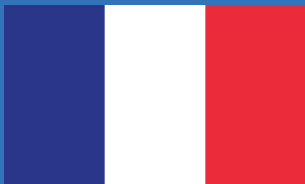
**Kopfhörerbuchse: 3,5 mm Durchmesser Stereo**

**Antennensystem: FM: Teleskopantenne**

**DAB: Teleskopantenne**

**WICHTIG: Schalten Sie das Radio nicht ein, wenn die Ohrhörer angeschlossen und in Ihr Ohr eingesteckt sind. Übermäßiger Schalldruck von Kopfhörern kann zu Hörverlust führen.**





FRANÇAIS

## Qu'y a-t-il dans la boîte?

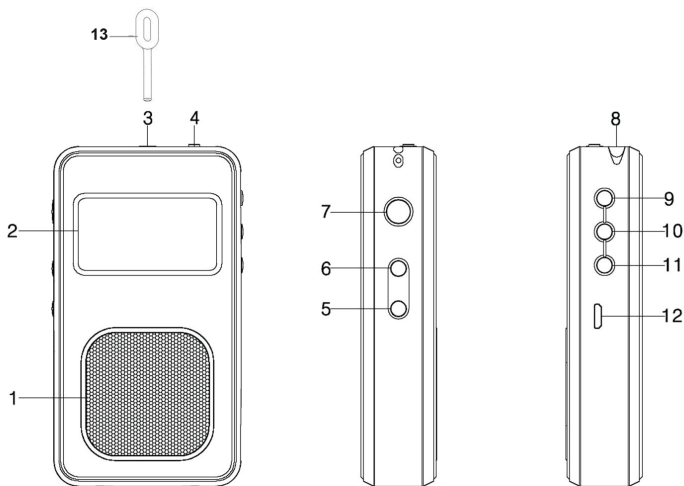
- Radio DAB personnelle **AZATOM®** Pro Sports S2
- Manuel utilisateur
- Câble d'alimentation USB
- Écouteurs
- Carte de garantie **AZATOM®**

# Contenu

<b>Section:</b>	<b>Page:</b>
Commandes et interface .....	29
Utilisation de la radio personnelle DAB Pro Sports S2	
Icônes de fonction d'alimentation / de verrouillage des touches / d'affichage....	30
touche	
Utilisation de votre radio .....	31
Sélection d'une station / services secondaires .....	31
Modes d'affichage .....	32
Trouver de nouvelles stations de radio .....	32
Fonction d'analyse complète .....	33
Réglage manuel DAB .....	33
FM	
Utilisation de votre radio Recherche Recherche .....	34
Réglage manuel .....	34
Modes d'affichage .....	34
Préréglage des stations .....	35
Rappel d'un préréglage .....	35
FM Stéréo / Mono .....	35
Informations sur la station .....	36
Heure / date / écouteurs .....	36
Fonction de veille .....	37
Rétro-éclairage .....	37
Retour aux paramètres d'usine .....	37
Spécifications techniques .....	38



# Contrôles et interface



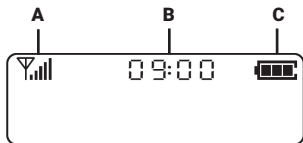
1. HAUT-PARLEUR
2. AFFICHAGE LCD
3. PRISE ÉCOUTEUR / RÉINITIALISER
4. INTERRUPTEUR DE VERROUILLAGE
5. BOUTON DE RÉDUCTION DU VOLUME
6. TOUCHE D'AUGMENTATION DU VOLUME / MENU / INFO (APPUYEZ ET MAINTENEZ)
7. MARCHÉ / ARRÊT ET BOUTON MODE (APPUYEZ SUR ALLUMER LA RADIO ET CHANGER MODES, APPUYEZ ET MAINTENEZ POUR POWER DE)
8. ANTENNE TÉLESCOPIQUE
9. MAGASIN DE BOUTONS /

- PRÉRÉGLAGES CH + BOUTON (APPUYEZ ET MAINTENIR)
10. BOUTON DE NUMÉRISATION POUR NUMÉRISATION ET SAUVEGARDE AUTOMATIQUE (SEARCH) / BOUTON ENTRÉE
11. RAPPEL DE BOUTON / PRÉRÉGLAGE BOUTON (APPUYEZ ET MAINTENIR)
12. PORT DE CHARGE USB TYPE-C
13. RESET PIN / RESET TOOL

# Utilisation du Pro Sports S2

## Icônes d'affichage:

- A. Indicateur de force du signal
- B. Heure au format 24h
- C. Indicateur de niveau de charge / charge



## Alimentation (câble USB uniquement - prise murale USB non fournie)

Insérez la fiche de réseau dans une prise secteur correctement installée. Connectez l'appareil au connecteur en insérant sa fiche dans le port de charge USB 5V / 500mA de l'appareil.

Assurez-vous que la tension du réseau correspond aux chiffres indiqués sur la plaque signalétique.

### MISE EN GARDE:

*Utilisez uniquement l'adaptateur secteur fourni avec cet appareil.*

*Ne pas utiliser pour d'autres appareils. Utilisez uniquement l'adaptateur secteur d'origine. Cet adaptateur a été spécialement conçu pour la batterie intégrée afin de la charger progressivement. Tout autre adaptateur peut raccourcir la durée de vie de la batterie ou l'endommager ou endommager l'appareil.*

### REMARQUE:

*Débranchez-le du secteur pendant les longues périodes de non-utilisation.*

## Fonction de verrouillage:

La fonction de verrouillage du clavier est utilisée pour empêcher toute utilisation involontaire de votre radio.

1. Réglez le commutateur de verrouillage situé sur le dessus de votre radio sur la position «Verrouillage». Si la radio est activé «Key locked» apparaîtra à l'écran. Les boutons On / Off et tous les autres boutons seront désactivé uniquement lorsque l'appareil est allumé à l'aide de cette fonction.
2. Pour relâcher le commutateur de verrouillage, placez le commutateur de verrouillage en position «Déverrouiller».

## Faire fonctionner votre radio - DAB:

1. Étendez l'antenne télescopique avec précaution.
2. Appuyez sur le bouton Marche / Arrêt pour allumer votre radio. L'écran affichera «Bienvenue sur radio numérique».
3. Si c'est la première fois que la radio est utilisée pour balayer rapidement les canaux DAB de la bande III, en dehors. Si la radio a été utilisée avant la dernière station utilisée sera sélectionnée.
4. Appuyez et maintenez SCAN pour le balayage automatique. Au cours du processus de numérisation, la ligne inférieure de l'écran montre un graphique à barres indiquant la progression de l'analyse.
5. Lorsque le balayage est terminé, la première station (dans l'ordre numérique alpha 0 à 9, A à Z) sera choisi. Votre radio se mettra automatiquement à l'heure actuelle.
6. Si la liste des stations est toujours vide après le balayage, votre radio affichera «Service non disponible».
7. Si aucun signal n'est détecté, il peut être nécessaire de déplacer votre radio dans une position permettant une meilleure accueil.

## Sélection d'une station - DAB:

1. La ligne supérieure de l'affichage indique le nom de la station actuellement sélectionnée.
2. Appuyez sur les boutons CH + / CH- pour sélectionner la liste des stations disponibles sur la ligne inférieure de la et appuyez sur le bouton ENTER pour confirmer.
3. Réglez le contrôle du volume sur le réglage requis.

*Remarque: Si, après la sélection d'une station, l'écran affiche «service indisponible», il peut être nécessaire de déplacer votre radio dans une position offrant une meilleure réception.*

## Services secondaires - DAB:

Certaines stations de radio sont associées à un ou plusieurs services secondaires. Si une station de radio est associée à un service secondaire, l'écran affichera «>>» à côté du nom de la station dans la liste des stations. Le service secondaire apparaîtra immédiatement après les services principaux lorsque vous appuierez sur les touches CH + / CH- et sélectionnez le service secondaire en surbrillance.

Lorsque le service secondaire est arrêté, votre radio reviendra automatiquement à la station de radio principale (ou au service principal) si elle est disponible.

## Modes d'affichage - DAB:

Votre radio dispose d'une gamme de modes d'affichage:

Appuyez longuement sur MENU pour entrer dans «Info station» et parcourez les différents modes.

- A. Texte défilant: Affiche les messages textuels défilants tels que le nom de l'artiste / de la piste, le numéro de téléphone, etc.
- B. Type de programme: Affiche le type de station écoutée, par exemple. Pop, Classique, Nouvelles etc.
- C. Nom du multiplexe: Affiche le nom du multiplexe DAB auquel appartient la station actuelle.
- D. Heure: Affiche l'heure actuelle.
- E. Date: Affiche la date actuelle.
- F. Fréquence: Affiche la fréquence du multiplex DAB pour la station écoutée.
- G. Débit binaire et type audio: Affiche le débit binaire numérique et le type audio de la station en cours d'écoute.
- H. Force du signal: Affiche un graphique indiquant la force du signal de la station en cours de réception.

## Trouver de nouvelles stations de radio - DAB:

À mesure que le temps passe, de nouvelles stations peuvent devenir disponibles. Pour trouver de nouvelles stations, procédez comme suit:

Appuyez sur l'une des touches CH + / CH- jusqu'à ce que «Find services» apparaisse à l'écran ou appuyez sur les touches CH + / CH- jusqu'à ce que «Scan» apparaisse, puis sélectionnez l'option de votre choix.

Vous pouvez également appuyer et maintenir SCAN pour le balayage automatique. «Scanning ...» apparaît sur l'écran et votre radio analyse les canaux DAB de la bande III. Au fur et à mesure que de nouvelles stations de radio sont trouvées, le compteur de stations sur le côté droit de l'écran augmentera et les stations de radio seront ajoutées à la liste enregistrée dans la radio.

## Fonction de balayage complet - DAB:

Au lieu de cliquer sur le menu pour sélectionner une station, votre radio peut être réglée afin de sélectionner automatiquement une station.

1. Appuyez sur le bouton MENU et appuyez sur CH / CH- jusqu'à ce que «Paramètres» soit mis en surbrillance et sélectionnez cette option
2. Appuyez sur CH / CH- jusqu'à ce que «Full Scan» soit mis en surbrillance et sélectionnez cette option
3. Appuyez sur ENTER pour confirmer.

## Réglage manuel - DAB:

La syntonisation manuelle vous permet de régler l'affichage sur les différents canaux DAB Band III. Stations DAB britanniques situées dans la plage 11B à 12D.

1. Appuyez sur MENU jusqu'à ce que l'écran affiche «Paramètres», puis appuyez sur Entrée.
2. Appuyez sur CH / CH- jusqu'à ce que l'écran affiche «Manual Tune». Appuyez sur Entrée pour sélectionner ceci fonction.
3. Appuyez sur CH / CH- pour mettre en surbrillance le canal souhaité.
4. Appuyez sur Entrée, le graphique indiquera la force du signal et la ligne supérieure affichera le nom du multiplex DAB (groupe de stations radio). Toutes les stations trouvées seront ajoutées à la liste enregistrée à la radio.
5. Appuyez sur MENU pour revenir au mode de syntonisation normal.

## Utilisation de votre radio - Recherche - FM:

1. Déployez soigneusement l'antenne télescopique et appuyez sur le bouton ON / OFF pour allumer votre radio.
2. Appuyez brièvement sur MODE pour passer en mode FM.
3. Maintenez la touche SCAN enfoncée. Votre radio effectuera une recherche de sauvegarde automatiquement lorsqu'elle trouvera une station de radio suffisante force.

## Réglage manuel - FM:

1. Déployez soigneusement l'antenne télescopique et appuyez sur le bouton ON / OFF pour allumer votre radio.
2. Sélectionnez le mode FM comme décrit précédemment si nécessaire.
3. Appuyez brièvement sur CH + / CH- pour syntoniser une station. A chaque pression sur Tuning, la fréquence change monter ou descendre de 50 kHz.
4. Réglez le contrôle du volume sur les paramètres souhaités.
5. Pour éteindre votre radio, appuyez sur le bouton ON / OFF.

## Modes d'affichage - FM:

En mode FM, la dernière ligne de l'écran peut être définie sur l'une des options d'affichage suivantes:

Maintenez la touche MENU enfoncée pour entrer les «Informations sur la station» sur une station et parcourir les modes.

- A. Texte défilant: Affiche les messages textuels défilants tels que le nom de l'artiste / de la piste, le numéro de téléphone, etc.
- B. Type de programme: Affiche le type de station écoutée, par exemple. Pop, Classique, Nouvelles etc.
- C. Mode audio: Affiche les programmes stéréo ou Mono.
- D. Heure: Affiche l'heure actuelle.
- E. Date: Affiche la date actuelle.

**Remarque:** votre radio affichera «NO Radio Text» sur la ligne inférieure de l'écran s'il n'y a pas de texte défilant disponible et «NO PTY» s'il n'y a pas d'information sur le type de programme.

## Stations de pré réglage:

Vous pouvez enregistrer vos stations de radio DAB et FM préférées dans la mémoire de stations pré réglées. Votre radio contient 60 pré réglages de mémoire, 30 pour DAB et 30 pour FM. Les pré réglages sont sauvegardés dans votre radio en cas de panne de courant.

1. Appuyez sur le bouton ON / OFF pour allumer la radio.
2. Sélectionnez la bande de fréquence souhaitée.
3. Syntonisez la station requise comme décrit précédemment.
4. Appuyez sur le bouton PRESET STORE et maintenez-le enfoncé, puis appuyez sur ENTER pour confirmer. L'écran affiche «Présélection 01 stockée». Répétez cette procédure si nécessaire pour les différents numéros de pré réglage.

## Rappelant un pré réglage:

1. Appuyez sur le bouton ON / OFF pour allumer la radio.
2. Sélectionnez la bande de fréquence requise comme décrit précédemment.
3. Appuyez sur les touches PRESET RECALL et CH + ou CH- et maintenez-les enfoncées pour rappeler les stations mémorisées appuyez sur ENTER pour sélectionner.

*Remarque: Si vous n'avez pas encore mémorisé de station pré réglée et que vous appuyez sur la touche de pré réglage, «Empty vide» s'affiche.*

## FM Stéréo / Mono (écouteurs uniquement):

Si une station reçue est faible, des sifflements peuvent être audibles (surtout lors de l'écoute avec des écouteurs).

1. Pour réduire le souffle, maintenez enfoncée la touche MENU pour accéder au menu, puis appuyez sur les touches CH + ou CH- jusqu'à ce que "Paramètres" soit en surbrillance. Appuyez sur ENTER pour sélectionner cette fonction.
2. Appuyez sur CH + ou CH- jusqu'à ce que l'écran affiche «Réglage audio», puis appuyez sur MENU.
3. Appuyez sur CH + ou CH- jusqu'à ce que "Forced Mono" s'affiche. Appuyez sur ENTER pour sélectionner mono. Votre radio sélectionnera le mode audio mono.
4. Pour revenir en mode stéréo, appuyez sur CH + ou CH- jusqu'à ce que "Réglage audio" apparaisse, puis appuyez sur la touche ENTER.
5. Appuyez sur CH + ou CH- jusqu'à ce que «Stéréo autorisé» s'affiche. Appuyez sur ENTER, votre radio passera en mode stéréo. Le paramètre choisi sera marqué d'un astérisque.

*Remarque: l'écoute stéréo n'est disponible que lorsque vous écoutez avec des écouteurs.*

## Informations sur la station:

Le menu d'informations sur la station affiche des informations techniques sur la station en cours.

1. Pour afficher les informations sur la station, appuyez sur MENU pour accéder au menu, puis appuyez sur CH + ou CH- jusqu'à ce que 'Paramètres' soit mis en surbrillance à l'écran.
2. Appuyez sur CH + ou CH- jusqu'à ce que «Station Info» apparaisse à l'écran. Appuyez sur ENTER les services les informations seront affichées.
3. Appuyez sur CH + ou CH- jusqu'à ce que les informations de service requises soient mises en surbrillance, puis appuyez sur ENTER pour voir cette information. Les informations de service choisies seront marquées d'un astérisque et rester à l'écran.

DAB - Type de programme, DLS, force du signal, débit, fréquence, date, heure, ensemble.

FM - Texte radio, Date, Heure, Type audio, Type de programme.

## Réglage heure / date:

En l'absence de signal DAB, vous devez régler l'heure et la date manuellement.

1. Appuyez longuement sur MENU pour accéder au menu des paramètres.
2. Appuyez sur CH + ou CH- jusqu'à «Paramètres», appuyez sur ENTER.
3. Appuyez sur CH + ou CH- jusqu'à ce que "Set Time / Date", appuyez sur ENTER.
4. Appuyez sur CH + ou CH- et ENTER pour régler l'heure et la date correctes.

## Écouteurs:

*Le fil reliant les écouteurs à votre radio agit comme une antenne lorsqu'il est branché dans la prise écouteurs. Le fil doit être prolongé autant que possible pour augmenter la réception.*

Remarque: lors de l'utilisation d'écouteurs, il n'est normalement pas nécessaire d'étendre l'antenne télescopique.

1. Branchez les écouteurs dans la prise écouteurs située en haut de votre radio.
2. Vérifiez que le volume n'est pas trop fort avant de placer les écouteurs dans vos oreilles.

**IMPORTANT: N'allumez pas la radio avec les écouteurs connectés et insérés dans votre oreille. Une pression sonore excessive des écouteurs peut entraîner une perte d'audition.**



## Fonction de sommeil:

Votre radio peut être configurée pour s'éteindre une fois le temps prédéfini écoulé. Le paramètre de sommeil peut être ajusté entre 15 et 90 minutes. Assurez-vous que votre radio est allumée.

1. Appuyez sur ENTER pour accéder au menu, puis appuyez sur CH + ou CH- jusqu'à ce que "Paramètres" soit mis en surbrillance sur l'écran.
2. Appuyez sur CH + ou CH- jusqu'à ce que "Set Sleep time" soit en surbrillance sur l'écran.
3. Appuyez sur ENTER pour entrer en mode de réglage.
4. Appuyez sur CH + ou CH- pour régler la durée de sommeil souhaitée entre 15, 30, 45, 60, 75 et 90 minutes ou Sleep Off qui annule la fonction de veille.
5. Appuyez sur ENTER pour confirmer le réglage. L'indicateur de minuterie d'arrêt «S» s'affichera à l'écran. Votre la radio s'éteindra une fois le temps de sommeil prédéfini écoulé.
6. Pour annuler la mise en veille et éteindre la radio avant la fin du temps de sommeil choisi appuyez sur le bouton ON / OFF pour annuler la mise en veille sans éteindre votre radio, réglez le temps de sommeil souhaité pour dormir.

## Rétro-éclairage:

Si vous n'appuyez sur aucun bouton, l'écran ACL s'assombrira au 1/4 après 20 secondes, puis au 1/2 après 2 minutes.

1. Pour que le rétro-éclairage ne diminue jamais, maintenez MENU enfoncé pour accéder au menu, puis appuyez sur CH + / CH- jusqu'à ce que "Settings" soit en surbrillance sur l'écran et appuyez sur ENTER.
2. Appuyez sur CH + ou CH- jusqu'à ce que "Backlight Auto" soit en surbrillance sur l'écran et appuyez sur ENTER.

TIME OUT: Réglez le temps de gradation de 10 secondes à 180 secondes ou éteint

DIM LEVEL: Règle la luminosité du gradateur sur HIGH, MEDIUM ou LOW lorsque TIME OUT SET.

ON LEVEL: Réglez la luminosité sur HAUT, MOYEN ou BAS

## Retour aux paramètres d'usine:

Si vous devez réinitialiser votre radio, vous pouvez utiliser l'outil de réinitialisation des paramètres d'usine et le pousser dans la fente pour écouteurs jusqu'à ce que vous sentiez le bouton enfoncé. Ceci réinitialisera votre radio. Ou vous pouvez choisir de le réinitialiser via le menu du logiciel:

1. Appuyez longuement sur MENU pour accéder au menu.
2. Appuyez sur CH + ou CH- jusqu'à ce que "Réglages" apparaisse à l'écran, puis appuyez sur ENTER
3. Appuyez sur CH + ou CH- jusqu'à ce que "Factory Reset" apparaisse à l'écran, puis appuyez sur ENTER
4. Si vous souhaitez effectuer la réinitialisation, appuyez sur CH + ou CH- jusqu'à ce que "YES" soit mis en surbrillance sur le bouton afficher et appuyer sur. Une réinitialisation complète de votre radio sera effectuée. Tous les pré-réglages et les listes de stations être effacé.

Si vous ne souhaitez pas réinitialiser votre radio, appuyez sur CH + ou CH- jusqu'à ce que "NO" soit en surbrillance. Votre radio reviendra au menu précédent.

5. Après la réinitialisation du système, une analyse de la bande DAB sera effectuée. En cas de dysfonctionnement dû à décharges électrostatiques, réinitialisez le produit (une déconnexion temporaire de l'adaptateur secteur peut être nécessaire nécessaire) pour reprendre le fonctionnement normal.

# Spécifications techniques

**Alimentation électrique requise (via un câble USB): 100-240V 50 / 60Hz**

**DC 5V 500mA**

**Batterie rechargeable au lithium: 3.7V, 1800MAH**

**Durée de vie de la batterie en pleine charge:**

**Jusqu'à 15 heures d'utilisation du haut-parleur 4 heures par jour au volume normal.**

**Jusqu'à 18 heures d'utilisation des écouteurs 4 heures par jour au volume normal.**

**Couverture de fréquence:**

**FM: 87,5-108 MHz**

**DAB: 174,928 - 239,200 MHz**

**Caractéristiques:**

**Puissance de sortie: 150mW**

**Prise écouteurs: 3.5mm dia. Stéréo**

**Système d'antenne: FM: Antenne télescopique**

**DAB: Antenne Télescopique**

**IMPORTANT: N'allumez pas la radio avec les écouteurs connectés et insérés dans votre oreille. Une pression sonore excessive des écouteurs peut entraîner une perte d'audition.**





ITALIANO

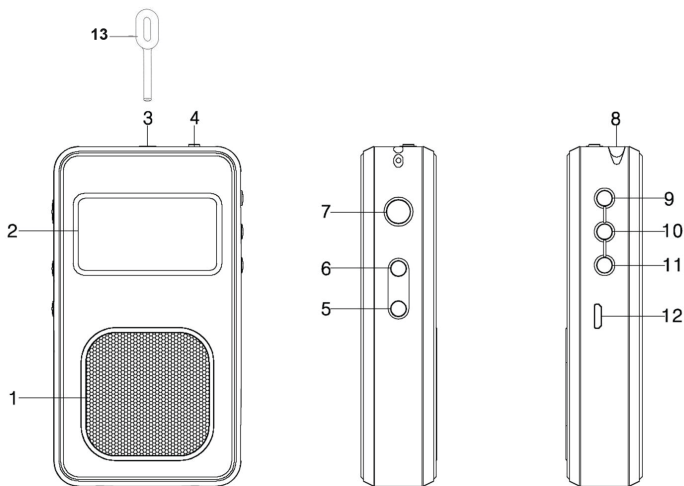
# Cosa c'è nella scatola?

- Radio DAB personale **AZATOM® Pro Sports S2**
- Manuale d'uso
- Cavo di alimentazione USB
- Auricolari
- Scheda di garanzia **AZATOM®**

# Contenuto

<b>Sezione:</b>	<b>Pagina:</b>
Controlli e interfaccia .....	43
<b>Utilizzo della radio personale DAB Pro Sports S2</b>	
Alimentatore / Blocco tasti / Icone display .....	44
<b>TAMPONARE</b>	
Uso della radio .....	45
Selezione di una stazione / servizi secondari .....	45
Modalità di visualizzazione .....	46
Ricerca di nuove stazioni radio .....	46
Funzione di scansione completa .....	47
Sintonizzazione manuale DAB .....	47
<b>FM</b>	
Uso della radio Ricerca Sintonia .....	48
Sintonia manuale .....	48
Modalità di visualizzazione .....	48
Stazioni preimpostate .....	49
Richiamo di una preselezione .....	49
FM Stereo / Mono .....	49
Informazioni sulla stazione .....	50
Ora / Impostazione data / Auricolari .....	50
Funzione sleep .....	51
Controluce .....	51
Ripristino delle impostazioni di fabbrica .....	51
Specifiche tecniche .....	52

# Controlli e interfaccia



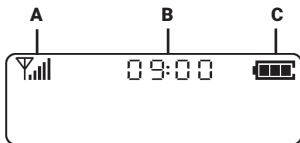
1. ALTOPARLANTE
2. DISPLAY LCD
3. PRESA AURICOLARE / RIPRISTINO
4. INTERRUOTTORE DI BLOCCO
5. PULSANTE DI RIDUZIONE DEL VOLUME
6. PULSANTE DI AUMENTO DEL VOLUME / MENU / INFO (TIENI PREMUTO)
7. PULSANTE ON / OFF E MODE (PREMERE PER ACCENDERE LA RADIO E CAMBIARE MODALITÀ, PREMERE E TENERE PREMUTO PER ACCENDERE OFF)
8. ANTENNA TELESCOPICA
9. TASTO CH + / MEMORIA

- PREIMPOSTATA
- PULSANTE (PREMERE E PREMERE)
10. PULSANTE DI SCANSIONE (PREMERE E PREMERE PER LA SCANSIONE E IL SALVATAGGIO AUTOMATICO CERCA) / TASTO INVIO
11. PULSANTE CH / RICHIAMO DELLE PRESELEZIONI PULSANTE (PREMERE E PREMERE)
12. PORTA DI RICARICA USB TIPO-C
13. REIMPOSTA STRUMENTO PIN/RESET

# Utilizzo di Pro Sports S2

## Icone del display:

- A. Signal strength indicator
- B. Time in 24h format
- C. Battery level / Charge indicator



## Alimentatore (solo cavo USB - Presa a muro USB non fornita)

Insert the grid plug into a properly installed AC socket. Connect the device with the plug connector by inserting its plug into the 5V/500mA USB charging port of the device.

Make sure the grid voltage corresponds to the figures on the rating plate.

### ATTENZIONE:

*Utilizzare solo l'alimentatore in dotazione per questo dispositivo.*

*Non utilizzare per altri dispositivi. Utilizzare solo l'adattatore CA originale. Questo adattatore è stato appositamente progettato per la batteria integrata al fine di caricare gradualmente la batteria. Qualsiasi altro adattatore può ridurre la durata della batteria o danneggiarlo o il dispositivo.*

### NOTA:

*Scollegare dall'alimentazione di rete durante periodi di inutilizzo prolungati.*

## Funzione di blocco dei tasti:

La funzione di blocco dei tasti viene utilizzata per impedire il funzionamento involontario della radio

1. Impostare l'interruttore di blocco situato nella parte superiore della radio in posizione "Blocco". Se la radio è acceso "Key bloccato" apparirà sul display. Saranno accesi / spenti e tutti gli altri pulsanti disabilitato solo mentre l'unità si è accesa usando questa funzione.
2. Per rilasciare l'interruttore di blocco, spostare l'interruttore di blocco in posizione "Unlock".



## Uso della radio - DAB:

1. Estendere con attenzione l'antenna telescopica.
2. Premere il pulsante On / Off per accendere la radio. Il display mostrerà "Benvenuti nella radio digitale".
3. Se questa è la prima volta che viene utilizzata la radio per eseguire la scansione rapida dei canali DAB della banda III su. Se la radio è stata utilizzata prima di selezionare l'ultima stazione utilizzata.
4. Premere e tenere premuto SCAN per la scansione automatica. Durante il processo di scansione, la riga inferiore del display mostra un grafico a barre che indica l'avanzamento della scansione.
5. Al termine della scansione, sarà la prima stazione (nell'ordine alfabetico-numerico 0-9, A-Z) selezionata. La radio si imposterà automaticamente sull'ora corrente.
6. Se l'elenco delle stazioni è ancora vuoto dopo la scansione, la radio visualizzerà "Servizio non disponibile".
7. Se non viene trovato alcun segnale, potrebbe essere necessario spostare la radio in una posizione migliore ricezione.

## Selezione di una stazione - DAB:

1. La riga superiore del display mostra il nome della stazione attualmente selezionata
2. Premere i pulsanti CH + / CH- per selezionare l'elenco delle stazioni disponibili sulla riga inferiore del display e premere il tasto ENTER per confermare.
3. Regolare il controllo del volume sull'impostazione richiesta.

*Nota: se dopo aver selezionato una stazione il display mostra "servizio non disponibile" potrebbe essere necessario spostare la radio in una posizione che offra una migliore ricezione.*

## Servizi secondari - DAB:

Alcune stazioni radio hanno uno o più servizi secondari associati ad esse. Se a una stazione radio è associato un servizio secondario, il display mostrerà ">>" accanto al nome della stazione nell'elenco delle stazioni. Il servizio secondario verrà quindi visualizzato immediatamente dopo i servizi primari quando si premono i pulsanti CH + / CH- e si seleziona il servizio secondario evidenziato.

Quando il servizio secondario si spegne, la radio tornerà automaticamente alla stazione radio principale (o al servizio principale) se è disponibile.

## Modalità di visualizzazione - DAB:

La radio ha una gamma di modalità di visualizzazione:

Tenere premuto MENU per accedere a "Info stazione" e scorrere le varie modalità.

- A. Testo scorrevole: visualizza i messaggi di testo scorrevoli come il nome dell'artista / brano, il numero di telefono ecc.
- B. Tipo di programma: visualizza il tipo di stazione ascoltata, ad es. Pop, classico, notizie ecc.
- C. Nome multiplex: visualizza il nome del multiplex DAB a cui appartiene la stazione corrente.
- D. Ora: visualizza l'ora corrente.
- E. Data: visualizza la data corrente.
- F. Frequenza: visualizza la frequenza del multiplex DAB per la stazione ascoltata.
- G. Bit rate e tipo di audio: visualizza il bit rate digitale e il tipo di audio per la stazione ascoltata.
- H. Potenza del segnale: visualizza un grafico che mostra la potenza del segnale per la stazione che si sta ricevendo.

## Trovare nuove stazioni radio - DAB:

Con il passare del tempo nuove stazioni potrebbero diventare disponibili. Per trovare nuove stazioni attenersi alla seguente procedura:

Premere uno dei pulsanti CH + / CH-, fino a quando sul display non viene visualizzato "Trova servizi" o premere i pulsanti CH + / CH- fino a quando sul display non viene visualizzato "scan" e selezionare l'opzione preferita.

È inoltre possibile tenere premuto SCAN per la scansione automatica. Il display mostrerà "Scansione ..." e la radio eseguirà una scansione dei canali DAB della banda III. Man mano che vengono trovate nuove stazioni radio, il contatore delle stazioni sul lato destro del display aumenterà e le stazioni radio verranno aggiunte all'elenco memorizzato nella radio.

## Funzione di scansione completa - DAB:

In alternativa al clic sul menu per selezionare una stazione è possibile impostare la radio in modo da selezionare automaticamente una stazione.

1. Premere il pulsante MENU, quindi premere CH / CH- fino a evidenziare "Impostazioni" e selezionare tale opzione
2. Premere CH / CH- finché non viene evidenziato "Scansione completa" e selezionare quell'opzione
3. Premere INVIO per confermare.

## Sintonia manuale - DAB:

La sintonizzazione manuale consente di sintonizzare la visualizzazione sui vari canali DAB Band III. Stazioni DAB del Regno Unito situate nell'intervallo da 11B a 12D.

1. Premere MENU fino a quando sul display non viene visualizzato "Impostazioni", quindi premere Invio.
2. Premere CH / CH- fino a quando sul display non compare "Sintonizzazione manuale". Premi Invio per selezionare questa funzione.
3. Premere CH / CH- per evidenziare il canale desiderato.
4. Premere Invio, il grafico indicherà la potenza del segnale e la riga superiore mostrerà il nome del multiplex DAB (gruppo di stazioni radio). Tutte le stazioni trovate verranno aggiunte all'elenco memorizzato alla radio.
5. Premere MENU per tornare alla normale modalità di sintonizzazione.

## Funzionamento della radio - Ricerca sintonia - FM:

1. Estendere con cura l'antenna telescopica fino in fondo e premere il pulsante ON / OFF per accendere la radio.
2. Premere brevemente MODE per accedere alla modalità FM.
3. Premere e tenere premuto SCAN la radio eseguirà la scansione del salvataggio automatico quando trova una stazione sufficiente forza.

## Sintonia manuale - FM:

1. Estendere con cura l'antenna telescopica fino in fondo e premere il pulsante ON / OFF per accendere la radio.
2. Selezionare la modalità FM come precedentemente descritto, se necessario.
3. Premere brevemente CH + / CH- per sintonizzarsi su una stazione. Ad ogni pressione di Tuning la frequenza cambierà su o giù di 50 kHz.
4. Impostare il controllo del volume sulle impostazioni desiderate.
5. Per spegnere la radio, premere il pulsante ON / OFF.

## Modalità di visualizzazione - FM:

In modalità FM la riga inferiore del display può essere impostata su una delle seguenti opzioni di visualizzazione:

Tenere premuto MENU per inserire le "Informazioni stazione" su una stazione e scorrere le varie modalità.

- A. Testo scorrevole: visualizza i messaggi di testo scorrevoli come il nome dell'artista / brano, il numero di telefono ecc.
- B. Tipo di programma: visualizza il tipo di stazione ascoltata, ad es. Pop, classico, notizie ecc.
- C. Modalità audio: il display mostra stereo o Mono ..
- D. Ora: visualizza l'ora corrente.
- E. Data: visualizza la data corrente.

*Nota: la radio visualizzerà "NO Radio Text" sulla riga inferiore del display se non è disponibile il testo scorrevole e "NO PTY" se non ci sono informazioni sul tipo di programma.*

## Stazioni preimpostate:

È possibile memorizzare le stazioni radio DAB e FM preferite nella memoria delle stazioni preselezionate. Ci sono 60 preselezioni di memoria nella radio, 30 per DAB e 30 per FM. Le preselezioni vengono salvate nella radio in caso di mancanza di corrente.

1. Premere il pulsante ON / OFF per accendere la radio.
2. Selezionare la banda d'onda desiderata.
3. Sintonizzarsi sulla stazione richiesta come precedentemente descritto.
4. Tenere premuto il pulsante PRESET STORE e premere ENTER per confermare, il display mostrerà "Preset 01 Stored". Ripetere questa procedura secondo necessità per i diversi numeri preimpostati.

## Richiamo di un preset:

1. Premere il pulsante ON / OFF per accendere la radio.
2. Selezionare la banda d'onda richiesta come precedentemente descritto.
3. Premere e tenere premuto il pulsante PRESET RECALL e CH + o CH- per richiamare le stazioni memorizzate, e premere INVIO per selezionare.

*Nota: se non è stata precedentemente memorizzata una stazione preselezionata e si preme il tasto di preselezione, verrà visualizzato "Empty preset".*

## FM Stereo / Mono (solo auricolari):

Se una stazione ricevuta è debole, si può udire un sibilo (specialmente quando si ascolta con le cuffie).

1. Per ridurre il sibilo, tenere premuto il pulsante MENU per accedere al menu, quindi premere CH + o CH- fino a quando non viene evidenziato "Impostazioni". Premere INVIO per selezionare questa funzione.
2. Premere CH + o CH- fino a quando sul display non viene visualizzato "Impostazioni audio", quindi premere MENU.
3. Premere CH + o CH- finché non viene visualizzato "Forced mono". Premere INVIO per selezionare mono. La radio selezionerà la modalità audio mono.
4. Per tornare alla modalità stereo, premere CH + o CH- fino a quando sul display non viene visualizzato "Impostazioni audio" premere INVIO.
5. Premere CH + o CH- finché non viene visualizzato "Stereo consentito". Premi INVIO la radio si accenderà in modalità stereo. L'impostazione scelta sarà contrassegnata da un asterisco.

*Nota: l'ascolto stereo è disponibile solo quando si ascolta tramite gli auricolari.*

## Informazioni sulla stazione:

Il menu delle informazioni sulla stazione visualizza informazioni tecniche sulla stazione corrente.

1. Per visualizzare le informazioni sulla stazione, premere MENU per accedere al menu, quindi premere CH + o CH- fino a quando "Impostazioni" non viene evidenziato sul display.
2. Premere CH + o CH- fino a quando "Info stazione" non viene visualizzato sul display. Premi INVIO i servizi verranno visualizzate le informazioni.
3. Premere CH + o CH- fino a quando non vengono evidenziate le informazioni di servizio richieste e premere INVIO per visualizzare queste informazioni. Le informazioni di servizio prescelte saranno contrassegnate da un asterisco e saranno rimanere sul display.

DAB - Tipo di programma, DLS, intensità del segnale, bitrate, frequenza, data, ora, ensemble.

FM: testo radio, data, ora, tipo audio, tipo di programma.

## Impostazione data / ora:

Quando nessun segnale DAB, è necessario impostare manualmente TIME e DATE.

1. Tenere premuto MENU per accedere al menu delle impostazioni.
2. Premere CH + o CH- fino a quando "Impostazioni", premere INVIO.
3. Premere CH + o CH- fino a "Imposta ora / data", premere INVIO
4. Premere CH + o CH- e ENTER per impostare l'ora e la data corrette.

## Auricolari:

Il cavo che collega gli auricolari alla radio funge da antenna quando è collegato alla presa degli auricolari. Il vantaggio dovrebbe essere esteso il più possibile per aumentare la ricezione.

Nota: quando si utilizzano gli auricolari, normalmente non è necessario estendere l'antenna telescopica.

1. Inserire gli auricolari nella presa per auricolari nella parte superiore della radio.
2. Verificare che il livello del volume non sia troppo alto prima di posizionare gli auricolari nelle orecchie.

**IMPORTANTE:** non accendere la radio con gli auricolari collegati e inseriti nell'orecchio. Una pressione sonora eccessiva dagli auricolari può causare la perdita dell'udito.

## Funzione sleep:

La radio può essere impostata per spegnersi dopo che è trascorso un tempo prestabilito. L'impostazione del sonno può essere regolata tra 15 e 90 minuti. Assicurarsi che la radio sia accesa.

1. Premere INVIO per accedere al menu, quindi premere CH + o CH- fino a evidenziare "Impostazioni" sul display.
2. Premere CH + o CH- fino a quando "Set Sleep time" non viene evidenziato sul display.
3. Premere INVIO per accedere alla modalità di regolazione.
4. Premere CH + o CH- per impostare il tempo di sospensione desiderato tra 15, 30, 45, 60, 75 e 90 minuti o Sleep Off che annulla la funzione sleep.
5. Premere INVIO per confermare l'impostazione. L'indicatore del timer di spegnimento "S" apparirà sul display. Il tuo la radio si spegne dopo che è trascorso il tempo di sospensione preimpostato.
6. Per annullare il timer di spegnimento e spegnere la radio prima che sia trascorso il tempo di spegnimento scelto premere il pulsante ON / OFF per annullare il timer di spegnimento senza spegnere la radio, impostare tempo di sonno desiderato per SPEGNERE.

## Controluce:

Se non si preme alcun pulsante, il display LCD si oscura di 1/4 dopo 20 secondi e si oscura di 1/2 dopo 2 minuti.

1. Per impostare la retroilluminazione in modo che non si oscuri mai, tenere premuto MENU per accedere al menu e premere CH + / CH- fino a quando "Impostazioni" non viene evidenziato sul display e premere ENTER.
2. Premere CH + o CH- fino a quando "Backlight Auto" non viene evidenziato sul display e premere ENTER.

TIME OUT: imposta il tempo di dimmer da 10 secondi a 180 secondi o spento

DIM LEVEL: imposta la luminosità del dimmer ALTA, MEDIA o BASSA quando viene impostato il TIME OUT.

A LIVELLO: imposta la luminosità ALTA, MEDIA o BASSA

## Ripristino delle impostazioni di fabbrica:

Se è necessario ripristinare la radio, è possibile utilizzare lo strumento di ripristino delle impostazioni di fabbrica e spingerlo nello slot per auricolari fino a quando non si preme il pulsante: ciò ripristinerà la radio. Oppure puoi scegliere di ripristinarlo tramite il menu del software:

1. Tenere premuto MENU per accedere al menu.
2. Premere CH + o CH- fino a quando sul display non viene visualizzato "Impostazioni" e premere ENTER
3. Premere CH + o CH- fino a quando il display visualizza "Factory Reset" e premere ENTER
4. Se si desidera eseguire l'operazione di ripristino, premere CH + o CH- fino a quando "SI" non viene evidenziato su visualizzare e premere. Verrà eseguito un ripristino completo della radio, tutti gli elenchi di preselezioni e stazioni essere cancellato.

Se non si desidera ripristinare la radio, premere CH + o CH- finché non viene evidenziato "NO". La radio tornerà al menu precedente.

5. Dopo un ripristino del sistema, verrà eseguita una scansione della banda DAB. In caso di malfunzionamento dovuto a scarica elettrostatica, ripristinare il prodotto (può essere temporanea la disconnessione dell'alimentatore necessario) per riprendere il normale funzionamento.

# Specifiche tecniche

**Alimentazione richiesta (tramite cavo USB): 100-240 V 50 / 60Hz**

**DC 5V 500mA**

**Batteria ricaricabile al litio: 3,7 V, 1800 mAh**

**Durata batteria carica completa:**

**Fino a 15 ore utilizzando l'altoparlante per 4 ore al giorno a volume normale.**

**Fino a 18 ore utilizzando gli auricolari per 4 ore al giorno a volume normale.**

**Copertura di frequenza:**

**FM: 87,5-108 MHz**

**DAB: 174.928 - 239.200 MHz**

**specifiche tecniche:**

**Potenza in uscita: 150mW**

**Presa per auricolari: 3,5 mm di diametro Stereo**

**Sistema aereo: FM: antenna telescopica**

**DAB: antenna telescopica**

**IMPORTANTE: non accendere la radio con gli auricolari collegati e inseriti nell'orecchio. Una pressione sonora eccessiva dagli auricolari può causare la perdita dell'udito.**







# IMPORTANT SAFETY INFORMATION

1. Read these instructions.
2. Keep these instructions. Instructions are also available for download at [www.azatom.com](http://www.azatom.com)
3. Heed all Warnings.
4. Follow all instructions.
5. Do not clean the apparatus near or with water.
6. Clean only with a dry cloth.
7. Do not block any ventilation openings. Install in accordance with the manufacturer's instructions.
8. Do not install near any heat sources such as radiators, heat registers, stoves, or other apparatus (including amplifiers) that produce heat.
9. Protect the power cord from being walked on or pinched particularly at plugs, convenience receptacles, and the point where they exit from the apparatus.
10. Only use attachments/accessories specified by the manufacturer.
11. Unplug this apparatus during light storms or when unused for long periods of time.
12. Refer all servicing to qualified service personnel.

*Servicing is required when the apparatus has been damaged in any way, such as powersupply cord or plug is damaged, liquid has been spilled or objects have fallen into the apparatus, the apparatus has been exposed to rain or moisture, does not operate normally or has been dropped.*

13. No naked flame sources, such as lit candles, should be placed on the apparatus.
14. Dispose of used electrical products and batteries safely according to your local authority and regulations.

## ADDITIONAL WARNINGS

The apparatus shall not be exposed to dripping or splashing and no objects filled with liquid, such as vases, shall be placed on apparatus.

Main plug is used to disconnect device and it should remain readily operable during intended use. In order to disconnect the apparatus from the main mains completely, the mains plug should be disconnected from the main socket outlet completely.

Battery shall not be exposed to excessive heat such as sunshine, fire or the like.

## RECYCLING ELECTRICAL PRODUCTS

You should now recycle your waste electrical goods and in doing so help the environment.



This symbol means an electrical product should not be disposed of with normal household waste. Please ensure it is taken to a suitable facility for disposal when finished with.



**IMPORTANT:** Please read all instructions carefully before use and keep for future reference



- Risk of electric shock. Do not open



- Read all instructions carefully before use and keep for future reference.



- When servicing, use only identical replacement parts.





@AZATOM

**REGISTER YOUR PRODUCT ONLINE. TO LEARN MORE  
& REGISTER FOR OUR AZATOM WARRANTY\* PLEASE  
VISIT: [WWW.AZATOM.COM/WARRANTY](http://WWW.AZATOM.COM/WARRANTY)**

AZATOM® 2020 ALL RIGHTS RESERVED. AZATOM® IS PART OF AZATOM GROUP LIMITED.  
SEE SITE FOR SAFETY INFORMATION. AZATOM® RESERVE THE RIGHT TO WITHDRAW ANY AND ALL  
PROMOTIONS WITHOUT NOTICE. FOR FULL WARRANTY, EXTENDED WARRANTY AND PROMOTIONAL  
OFFER TERMS & CONDITIONS PLEASE VISIT [WWW.AZATOM.COM/TERMS-CONDITIONS](http://WWW.AZATOM.COM/TERMS-CONDITIONS)

\*REGISTRATION REQUIRED