

# AZATOM®

## Studio Home UHD2

2.1 Ch Home Theater System



# User Manual



This user-manual is available to download online visit [www.azatom.com](http://www.azatom.com) for support and more.



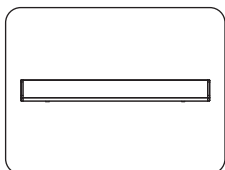
# Important Safety Instructions

---

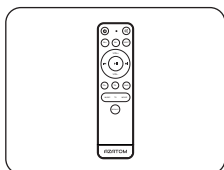
- Follow all instructions.
- Do not use this apparatus near water.
- Clean only with a dry cloth.
- Do not block any ventilation openings. Install in accordance with the manufacturer's instructions.
- Do not install near any heat sources such as radiators.
- Protect the power cord from being walked on or pinched particularly at the plug end, and the point where they exit from the soundbar.
- Only use attachments/accessories specified by the manufacturer.
- Unplug this apparatus during lightning storms or when unused for long periods of time.
- Refer all servicing to qualified service personnel. Servicing is required when the apparatus has been damaged in any way, such as power-supply cord or plug is damaged, the apparatus has been exposed to liquid, does not operate normally, or has been dropped.

# Check the package contents

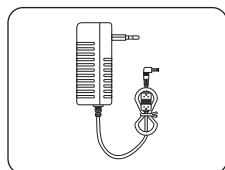
1. Studio Home UHD2 Soundbar
2. Remote control
3. Mains adapter
4. OPTICAL cable
5. Instruction manual
6. Wall-mounted brackets
7. Dowels & Screws



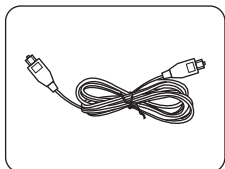
Studio Soundbar



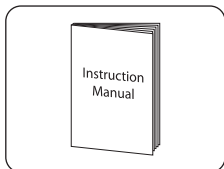
Remote control



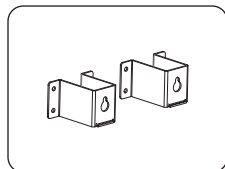
Mains power adapter



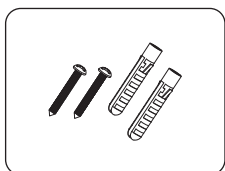
OPTICAL cable



Instruction manual

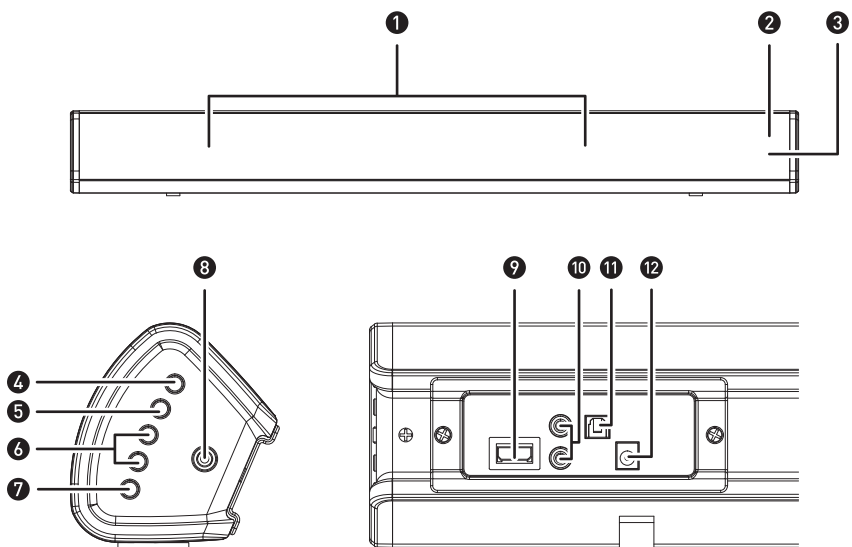


Wall-mounted brackets



Wall Plugs & Screws

# Product description

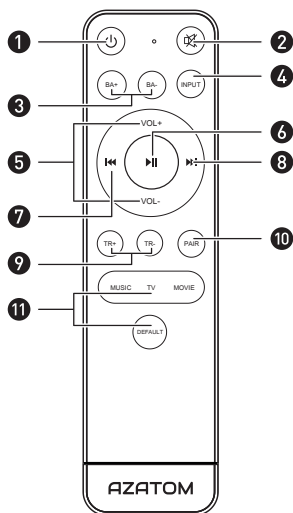


- |   |   |
|---|---|
| <ul style="list-style-type: none"> <li>1. Speaker drivers</li> <li>2. LED indicator light</li> <li>3. The remote control sensor</li> <li>4. Switch the unit on or off</li> <li>5. Select a input:<br/>---- BT, Optical in, Aux in, Line in, HDMI(ARC).</li> <li>6. Volume + and -:<br/>---- Press to adjust the volume up or down.</li> </ul> | <ul style="list-style-type: none"> <li>7. Bluetooth pair button</li> <li>8. 3.5mm line in socket</li> <li>9. HDMI(ARC) socket</li> <li>10. AUX (RCA L/R) socket</li> <li>11. OPTICAL IN socket</li> <li>12. DC (20V 1.2A) socket</li> </ul> |
|---|---|

## Indicator lights

STATE	INDICATOR LIGHTS
Power off	Red
Optical mode	Yellow
HDMI(ARC) mode	Pink
Line in mode	Green
AUX mode	White
Bluetooth ready	Flashing blue
Bluetooth connected	Blue

# Remote control (batteries installation)



1. button ---- Press the unit between On and Standby mode.
2. button ---- Press to mute the sound. Press again resume.
3. **BASS+/BASS-** buttons ---- (It can adjust the Bass volume in mode of DEFAULT.)
4. **INPUT** button ---- Select the modes.
5. **VOL +/-** buttons ---- Adjust the volume.
6. button ---- Play/pause/resume playback in Bluetooth mode.
7. button ---- Skip backwards to the beginning of the track or to the previous track  
Bluetooth mode.
8. button ---- Skip forwards to the next track in Bluetooth mode.
9. **Treble+/Treble-** buttons ---- (It can adjust the Treble volume in mode of DEFAULT.)
10. **BT PAIR** button ---- Disconnect the bluetooth device.
11. **Music/TV/Movie/VOICE/DEFAULT** buttons ---- Press the button to select a desired music  
mode: **MUSIC, MOVIE, VOICE, DEFAULT.**

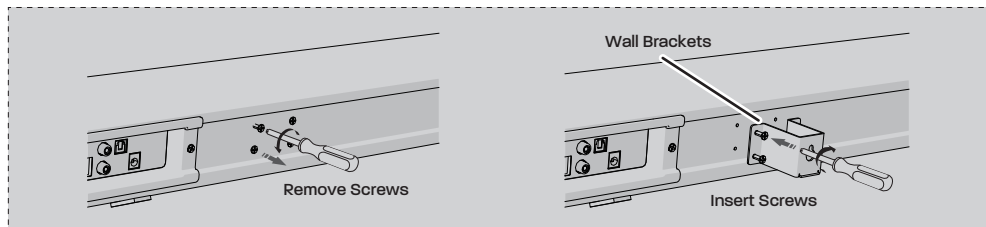
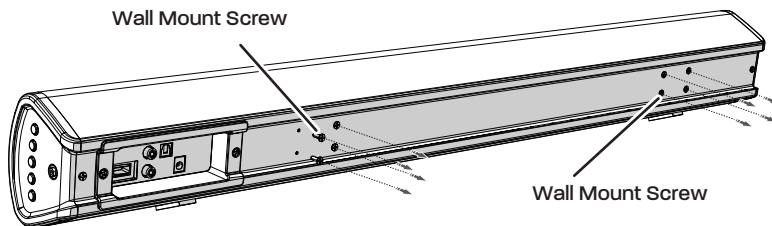
# Product installation

## Wall Mounting

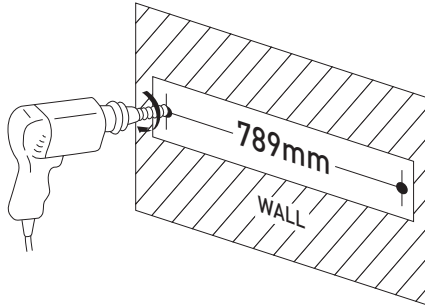
It is installer's responsibility to verify that the wall safely support the total load of the Soundbar.

◇ Additional tools (not included) are required for the installation.

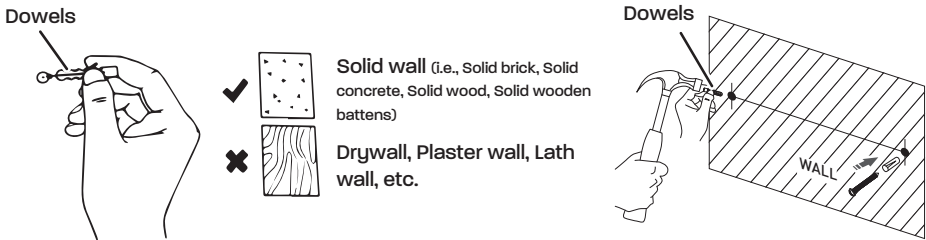
1. Remove four screws on the rear panel from the Bar. Store the removed screws in a safe place. Attach the wall brackets (included) to the Bar with those removed screws and firmly fix them.



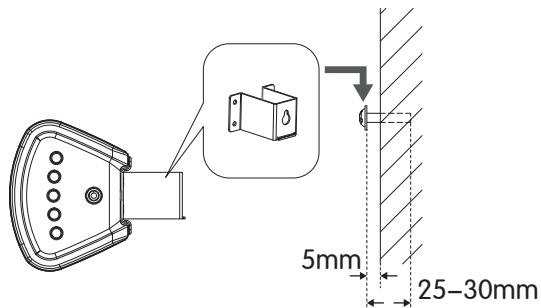
2. Drill 2 parallel holes ( $\varnothing 3-8\text{mm}$  each according to wall type) in the wall. The distance between 2 holes should be 789mm.



3. Firmly fix a dowel (included) into each hole in the wall if necessary.



4. Insert a screw (included) into each dowel. Make sure to leave a 5mm gap between the wall and the screw's head. Lift the Bar over the heads of the screws and slot into place.



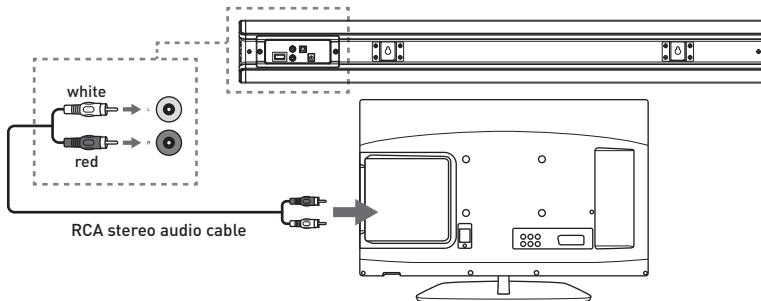
# Connections

## Using the AUX Connection

Use the RCA Stereo Audio Cable to connect the TV's stereo RCA(L/R). Audio output socket to the AUX(L/R) Sockets of the unit.

Then press the AUX button on the remote control or press the SOURCE button on the unit to choose the AUX function.

Turn on your television set to use the STUDIO UHD2.



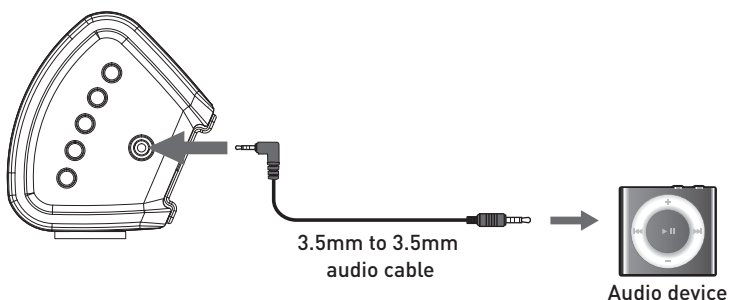
## Using the MP3 LINK Connection (Line In)

Plug one end of a 3.5mm audio input cable (included into the Line in on the unit. Before use, disconnect any cables connected to the Stereo RCA Inputs.

Plug the other end of the cable into the audio output/headphone output on an MP3 player or other audio source.

Press the POWER button on side panel or POWER button directly on the remote control to switch on the unit.

One touch the SOURCE button repeatedly or directly press LINE in button on remote control to enter LINE in mode. The mode indicator will turn green.





## Using the OPTICAL Connection

*You will need: An audio source with an optical audio output and a digital optical audio cable (not included)*

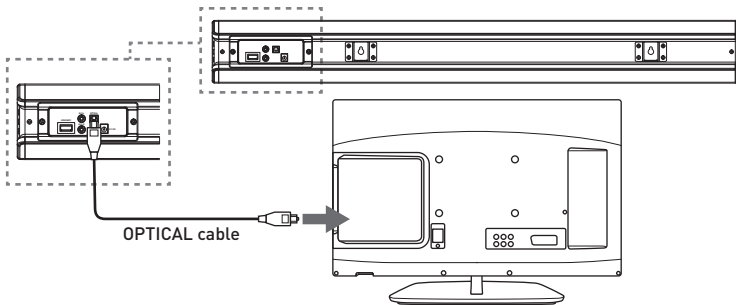
Connect the Digital Optical Audio cable to the optical output on the audio source and to the Optical Input on the soundbar.

Press the POWER/SOURCE button on the side panel or POWER button directly on the remote control to switch on the unit.

Press the OPTICAL button on the remote control to switch to Optical mode or one touch POWER/SOURCE button on main unit repeatedly to select the Optical mode. The mode indicator LED will turn Yellow.

Using the controls on your connected device, make sure the audio settings are set to PCM or Optical Audio and are turned on.

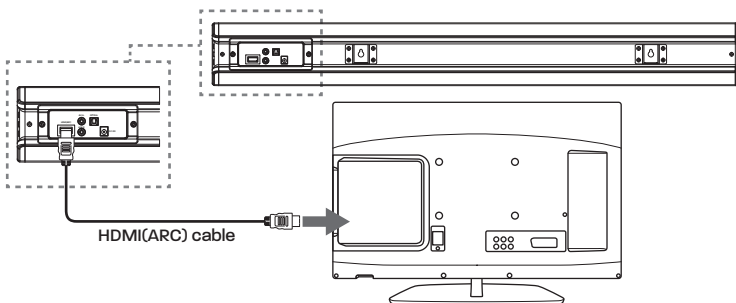
Using the controls on your connected device, make sure the audio settings are set to PCM or optical audio and are turned on.



## Using the HDMI(ARC) Connection (not included)

Connect the HDMI cable (not supplied) to the HDMI ARC connector on the back of the unit to the HDMI (ARC) connector on the TV.

**NOTE: In the HDMI ARC mode, if your speakers have no audio output and the indicator light is flashing quickly, use your source device (such as a TV, CD player, or cable/satellite receiver). The audio output mode is set to PCM, or turn off the sound source output.**



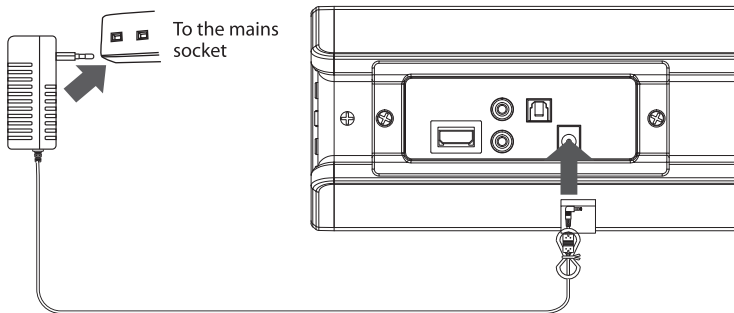
## Connecting to the Mains Supply

Ensure that the power supply voltage is in the voltage of 100V~240V.

This unit is designed to use the supplied adapter only.

Connecting the soundbar to any other power source may cause damage to the unit.

Connect the Adapter to the soundbar and AC Socket.



Ensure all audio connections of the unit are connected before connecting to the mains power socket. Unplug the power cord from the outlet when the unit is not in use for an extended period of time.

# Bluetooth Operation

---

## Bluetooth Operation

### Pairing a Bluetooth Device for the First Time

Press the POWER button on the unit or the POWER button on the remote control to switch on the unit.

Select and press the BT button directly on the remote control or press the SOURCE button repeatedly to enter Bluetooth mode, indicated by a flashing blue light.

Using the native controls on your Bluetooth device, selects the "STUDIO UHD2" in your Bluetooth settings to pair.

If your device requests a password, enters the default "0000". Refer to the "user manual" for your specific device for instructions on pairing and connecting Bluetooth devices.

When successfully paired and connected, a beep will issue from the unit and the Pairing Indicator will display a solid blue light. After initial pairing, the unit will stay paired unless unpaired manually by the user, or until it is erased due to a reset of the device.

Soundbar has Bluetooth connected to a device, you can press and hold the MUTE/PAIR button 3 seconds to exit this device in order to pair the device with another Bluetooth device.

If your device should become unpaired or you find it is unable to connect, repeat the above steps.

## Playing Audio Wirelessly

Follow the instructions for Pairing a Bluetooth Device.

Use the controls on the connected Bluetooth Device to select a track.

To play, pause or skip the selected track, use the controls on the connected Bluetooth Device.

## Specifications

<b>Amplifier</b>	
Power output	Max power output 180W
Frequency response	20Hz - 20KHz $\pm$ 3dB
Input sensitivity	700mV
<b>Main unit</b>	
Power supply	Input: 100-240V ~ 50-60Hz Output: 20V $\overline{\text{---}}$ 1.2A
Standby power consumption	$\leq$ 0.5W
Full range speaker drivers	Impedance: 4 Ohm (3 inches) Frequency response: 180Hz ~ 20KHz
Dimensions	822 x 88.5 x 96mm
Mains cable length	1.5 metre

For technical support or to ask us a question please visit [www.azatom.com/contact](http://www.azatom.com/contact)

AZATOM® is a brand of Azatom Group Limited © 2019 Azatom Group Limited All rights reserved.  
Azatom Group Limited. Discovery 1, 1 William Armstrong Way, Sedgfield,  
Stockton-On-Tees, TS21 3FH, UK